

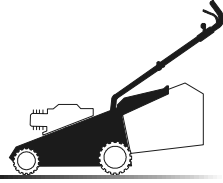
CA 484 TR/TR-E ROLLER



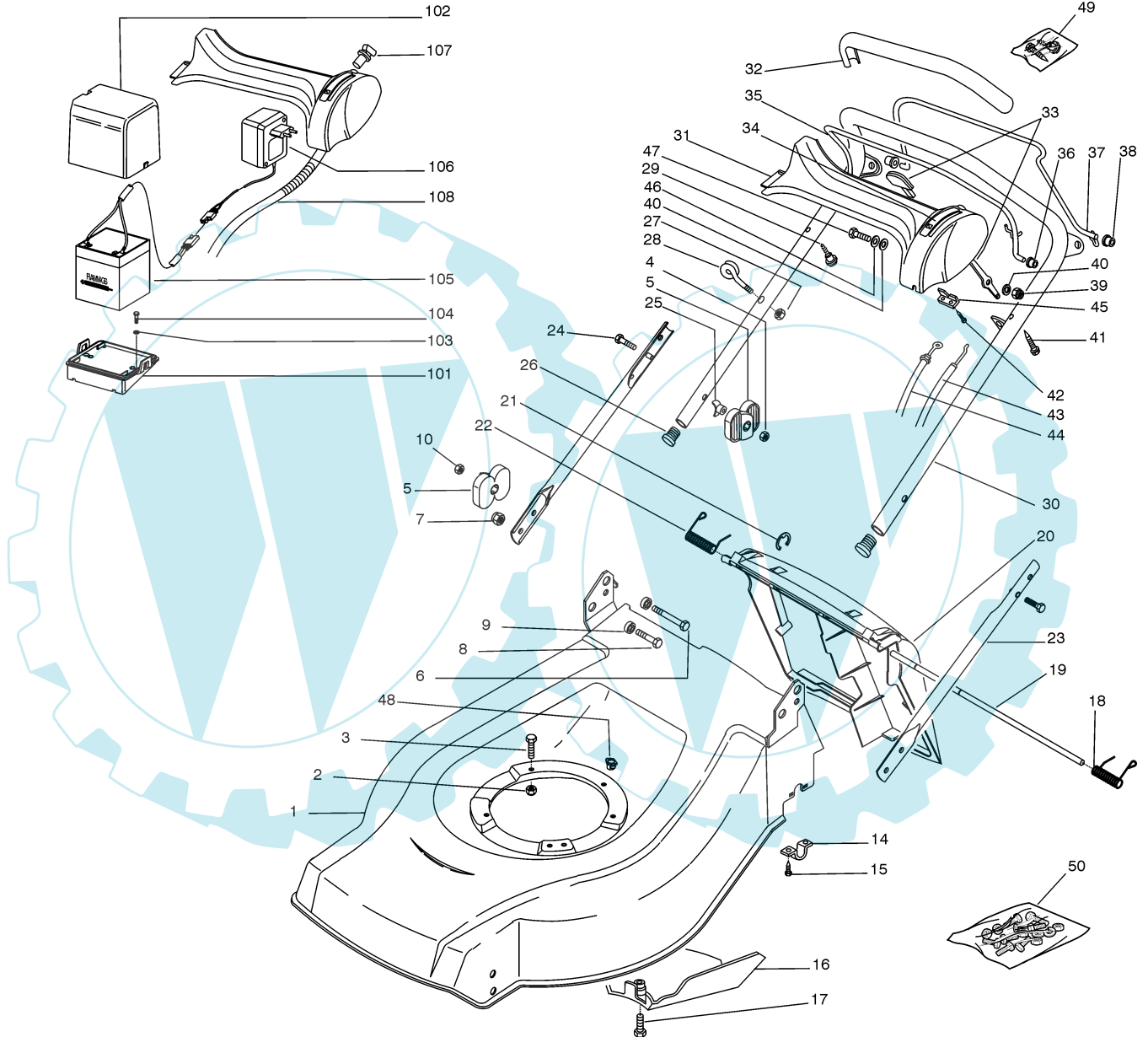
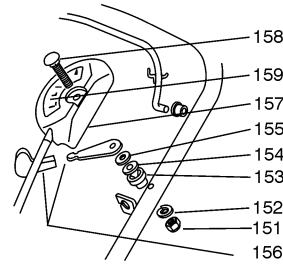
100

GLOBAL GARDEN PRODUCTS

1



01D_CA484TR_TRE-ROLL



01T.058

Pos.	Code	Q.ty	Descrizione	Description	Description	Beschreibung	Remarks
1	81002564/0	1	CHASSIS ROSSO	DECK RED	CHÂSSIS ROUGE	GEHÄUSE ROT	
2	12155000/0	0/1	DADO	NUT	ECROU	MUTTER	
-	12293201/0	3/2	DADO	NUT	ECROU	MUTTER	
3	12691800/0	0/1	VITE	SCREW	VIS	SCHRAUBE	
-	12793701/0	3/2	VITE	SCREW	VIS	SCHRAUBE	
4	12293202/0	4	DADO	NUT	ECROU	MUTTER	
5	22399803/0	4	MANOPOLINA	KNOB	POIGNÉE	GRIFF	
6	12793700/0	2	VITE	SCREW	VIS	SCHRAUBE	
7	12155000/0	2	DADO	NUT	ECROU	MUTTER	

CA 484 TR/TR-E ROLLER

GLOBAL GARDEN PRODUCTS

01T.058

Pos.	Code	Q.ty	Descrizione	Description	Description	Beshreibung	Remarks
8	12792610/0	2	VITE	SCREW	VIS	SCHRAUBE	
9	22041955/0	4	BUSSOLA	BUSH	DOUILLE	BUCHSE	
10	12293200/0	2	DADO	NUT	ECROU	MUTTER	
14	22545154/0	2	PIASTRINA	PLATE	PLAQUETTE	PLATTE	
15	12737350/0	4	VITE	SCREW	VIS	SCHRAUBE	
16	22060195/0	1	CARTER CINGHIA	PROTECTION, BELT	PROTECTION COURROIRE	SCHUTZ, RIEMEN	
17	12728530/0	1	VITE	SCREW	VIS	SCHRAUBE	
18	22450420/1	1	MOLLA SX	L SPRING	RESSORT G	LINKE FEDER	
19	22517906/1	1	PERNO	PIN	PIVOT	BOLZEN	
20	22600063/1	1	PARASASSI	STONE-GUARD	PARE-PIERRES	PRALLBLECH	
21	12000930/0	1	ANELLO ELASTICO	SNAP RING	ANNEAU RESSORT	SPRENGRING	
22	22450410/1	1	MOLLA DX	R SPRING	RESSORT D	RECHTE FEDER	
23	81006973/0	2	MANICO, PARTE INF	HANDLE, LOWER PART	MANCHERON, PARTIE INFERIEURE	HOLM, UNTERTEIL	
24	12819125/0	2	VITE	SCREW	VIS	SCHRAUBE	
25	22680006/1	2	ROSETTA	WASHER	RONDELLE	SCHEIBE	
26	18566112/0	2	PUNTALE	CAP	BOUCHON	GUMMISTOPFEN	
27	12154330/0	1	DADO	NUT	ECROU	MUTTER	
28	22430309/0	1	MOLLA GUIDA	GUIDE SPRING	RESSORT DE GUIDE	FEDER FÜHRER	
29	22943006/0	1	VITE	SCREW	VIS	SCHRAUBE	
30	81006981/0	1	MANICO, PARTE SUP	HANDLE, UPPER PART	MANCHERON, PARTIE SUPERIEURE	HOLM, OBERTEIL	
31	22120172/0	1	CRUSCOTTO NERO	DASH BOARD BLACK	CONSOLE NOIRE	KONSOLE SCHWARZE	
-	22120173/0	1	CRUSCOTTO ROSSO	DASH BOARD RED	CONSOLE ROUGE	KONSOLE ROTE	
-	22120174/0	1	CRUSCOTTO GIALLO	DASH BOARD YELLOW	CONSOLE JAUNE	KONSOLE GELBE	
32	22291050/0	1	IMPUGNATURA MANICO NERA	HANDGRIP BLACK	POIGNÉE NOIRE	HANDGRIFF SCHWARZER	
-	22291051/0	1	IMPUGNATURA MANICO ROSSA	HANDGRIP RED	POIGNÉE ROUGE	HANDGRIFF RÖTER	
-	22291052/0	1	IMPUGNATURA MANICO GIALLA	HANDGRIP YELLOW	POIGNÉE JAUNE	HANDGRIFF GELBER	
33	81007280/2	1	LEVA, ACCELERATORE	LEVER, THROTTLE	LEVIER, ACCELERATEUR	HEBEL, BESHLEUNIGER	
34	14356743/0	1	ETICHETTA	LABEL	ETIQUETTE	ETIKETTE	
-	14356744/0	1	ETICHETTA	LABEL	ETIQUETTE	ETIKETTE	
-	14357646/0	1	ETICHETTA	LABEL	ETIQUETTE	ETIKETTE	
35	81003291/2	1	LEVA FRENO MOTORE	LEVER, MOTOR BRAKE	LEVIER FREIN MOTEUR	HEBEL, MOTORBREMSE	
36	22041966/0	2	BUSSOLA	BUSH	DOUILLE	BUCHSE	
37	81003288/1	1	LEVA TRAZIONE	LEVER, DRIVING	LEVIER TRACTION	HEBEL, ANTRIEB	
38	22041965/0	2	BUSSOLA	BUSH	DOUILLE	BUCHSE	
39	12154510/0	1	DADO	NUT	ECROU	MUTTER	
40	12523040/0	2	ROSETTA	WASHER	RONDELLE	SCHEIBE	
41	12728518/0	1	VITE	SCREW	VIS	SCHRAUBE	
42	12728460/0	1	VITE	SCREW	VIS	SCHRAUBE	
43	81007160/0	1	CAVO ACCELERATORE	CABLE, TROTTLE	CABLE, ACCELERATEUR	KABEL, BESCHLEUNIGER	
44	81000625/0	1	CAVO FRENO MOTORE	CABLE, THREAD MOTOR BRAKE	CABLE FREIN MOTEUR	KABEL, MOTORBREMSE	(B&S CLASSIC/SPRINT/LS/LC)
-	81000631/0	1	CAVO FRENO MOTORE	CABLE, THREAD MOTOR BRAKE	CABLE FREIN MOTEUR	KABEL, MOTORBREMSE	(B&S QUANTUM)
-	81000641/0	1	CAVO FRENO MOTORE	CABLE, THREAD MOTOR BRAKE	CABLE FREIN MOTEUR	KABEL, MOTORBREMSE	(HONDA GCV 135/160)
-	81000629/1	1	CAVO FRENO MOTORE	CABLE, THREAD MOTOR BRAKE	CABLE FREIN MOTEUR	KABEL, MOTORBREMSE	(TECUMSEH)
45	22981467/0	1	PIASTRINA	PLATE	PLAQUETTE	PLATTE	
46	12530060/0	1	ROSETTA ELASTICA	ELASTIC WASHER	RONDELLE ELASTIQUE	ELASTISCHE SCHEIBE	
47	12791500/0	1	VITE	SCREW	VIS	SCHRAUBE	
48	22291150/0	1	INSERTO IN GOMMA	RUBBER INSERT	INSERT DE GAOUTCHOU	GUMMI EINSATZ	
49	81008609/0	1	DOTAZIONE VITERIA CRUSCOTTO	OUTFIT, DASH-BOARD SCREWS	DOTATION VISSERIE CONSOLLE	SATZ, KONSOLE SCHRAUBEN	
50	81008640/0	1	DOTAZIONE VITERIA	OUTFIT, SCREWS	DOTATION VISSERIE	SATZ, SCHRAUBEN	

CA 484 TR/TR-E ROLLER

GLOBAL GARDEN PRODUCTS

VARIANTI PER AVVIAMENTO ELETTRICO - PARTS FOR ELECTIC START - COMPOSANTS POUR DÉMARRAGE ÉLECTRIQUE - ELEKTROSTART BESTANDTEILE

01T.008

Pos.	Code	Q.ty	Descrizione	Description	Description	Beschreibung	Remarks
101	22785123/0	1	SUPPORTO BATTERIA	SUPPORT, BATTERY	SUPPORT BATTERIE	HALTER, BATTERIE	(B&S - TECUMSEH CENTURA)
-	22785122/0	1	SUPPORTO BATTERIA	SUPPORT, BATTERY	SUPPORT BATTERIE	HALTER, BATTERIE	(TECUMSEH PRISMA)
102	22109530/0	1	COPERCHIO	COVER	COUVERCLE	DECKEL	
103	12521310/0	2	ROSETTA	WASHER	RONDELLE	SCHEIBE	(B&S - TECUMSEH CENTURA)
104	12731590/0	2	VITE	SCREW	VIS	SCHRAUBE	(B&S - TECUMSEH CENTURA)
-	12728520/0	2	VITE	SCREW	VIS	SCHRAUBE	(TECUMSEH PRISMA)
105	18120052/0	1	BATTERIA	BATTERY	BATTERIE	BATTERIE	
106	18204120/0	1	CARICA BATTERIA	BATTERY CHARGER	CHARGEUR DE BATTERIE	LADGERÄT	
107	18450050/0	1	INTERRUTTORE	SWITCH	INTERRUPTEUR	SCHALTER	
108	18204192/2	1	CAVO AVVIAMENTO	CABLE, START	CABLE DÉMARRAGE	KABEL, START	(B&S)
-	18204190/3	1	CAVO AVVIAMENTO	CABLE, START	CABLE DÉMARRAGE	KABEL, START	(TECUMSEH)

VARIANTE ACCELERATORE - THROTTLE MODIFICATION - MODIFICATION COMMANDE D'ACCELERATION - ÄNDERUNGEN AUF GASHEBEL

01T.005

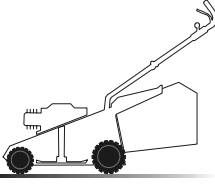
Pos.	Code	Q.ty	Descrizione	Description	Description	Beschreibung	Remarks
151	12291000/0	1	DADO	NUT	ECROU	MUTTER	
152	12581500/0	1	GROWER	GROWER	GROWER	FEDERRING	
153	22171005/0	1	DISTANZIALE	SPACER	ENTRETOISE	DISTANZRING	
154	12521360/0	1	ROSETTA	WASHER	RONDELLE	SCHEIBE	
155	12508100/0	1	ROSETTA ELASTICA	SPRING WASHER	RONDELLE ELASTIQUE	ELASTISCHE SCHEIBE	
156	81007279/0	1	LEVA, ACCELERATORE	LEVER, THROTTLE	LEVIER, ACCELERATEUR	HEBEL, BESHLEUNIGER	
157	81007080/0	1	CAVO ACCELERATORE	CABLE, TROTTLE	CABLE, ACCELERATEUR	KABLE, BESCHLEUNIGER	
158	12815000/0	1	VITE	SCREW	VIS	SCHRAUBE	
159	14356703/0	1	ETICHETTA	LABEL	ETIQUETTE	ETIKETTE	(B&S)
-	14356702/0	1	ETICHETTA	LABEL	ETIQUETTE	ETIKETTE	(HONDA)
-	14356905/0	1	ETICHETTA	LABEL	ETIQUETTE	ETIKETTE	(TECUMSEH)

CA 484 TR/TR-E ROLLER

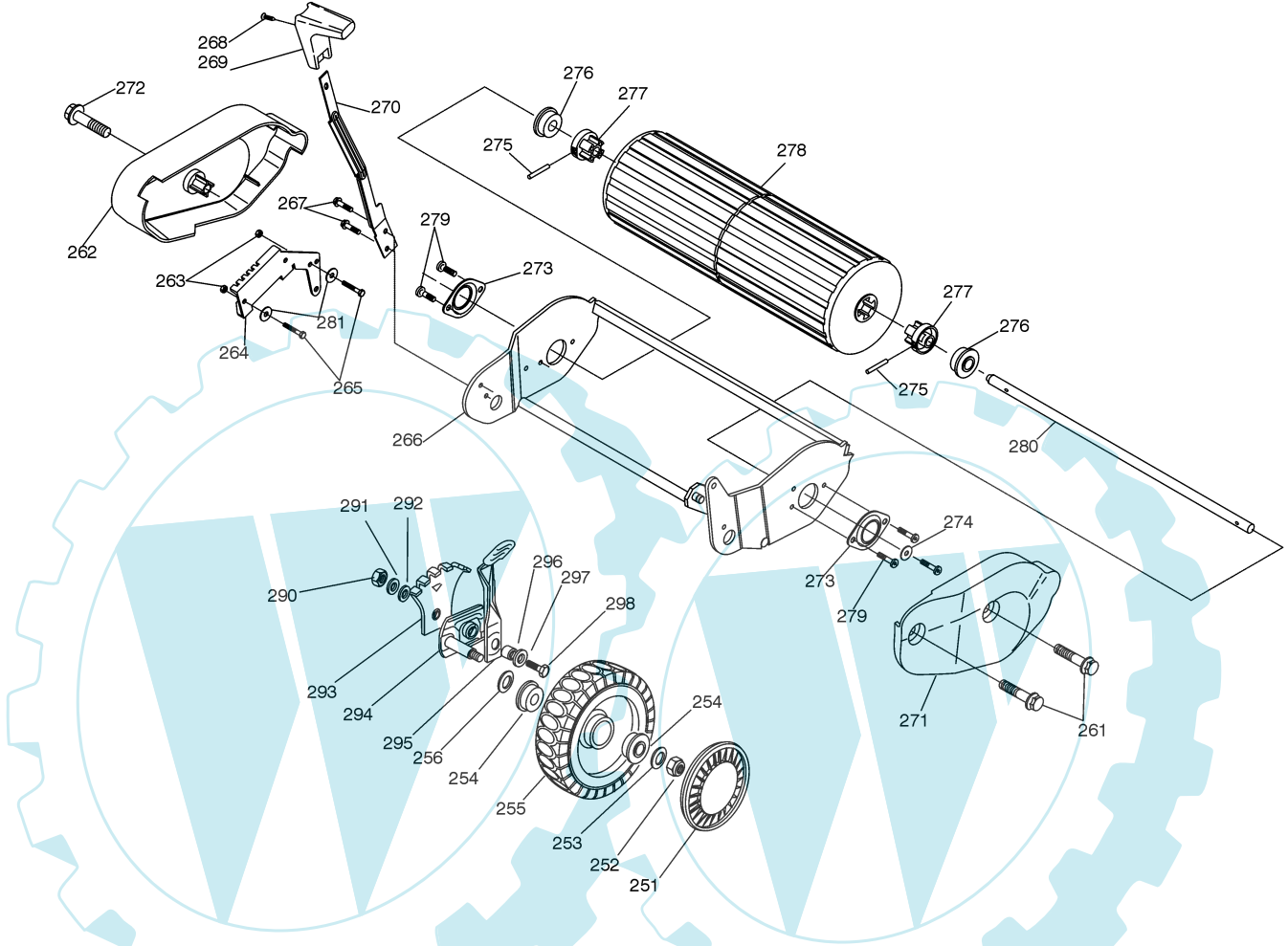


GLOBAL GARDEN PRODUCTS

2



02D_034



02T_034

Pos.	Code	Q.ty	Descrizione	Description	Description	Beschreibung	Remarks
251	22110282/0	2	COPRIMOZZO BIANCO	HUB CAP WHITE	COUVRE-MOYEU BLANC	RADKAPPE WEIßE	
-	22110288/0	2	COPRIMOZZO GIALLO	HUB CAP YELLOW	COUVRE-MOYEU JAUNE	RADKAPPE GELBE	
-	22110290/0	2	COPRIMOZZO ROSSO	HUB CAP RED	COUVRE-MOYEU ROUGE	RADKAPPE ROTE	
-	22110300/0	2	COPRIMOZZO GRIGIO	HUB CAP GREY	COUVRE-MOYEU GRIS	RADKAPPE GRAU	
252	12155000/0	2	DADO	NUT	ECROU	MUTTER	
253	12521350/0	2	ROSETTA	WASHER	RONDELLE	SCHEIBE	
254	22122200/0	4	CUSCINETTO	BEARING	COUSSINET	LAGER	
255	81007336/0	2	RUOTA SCOLPITA Ø 170	WHEEL, KNOBBLY Ø 170	ROUE SCULPTEE Ø 170	RAD M. STOLLENPR. Ø 170	
256	12530150/0	2	ROSETTA ELASTICA	ELASTIC WASHER	RONDELLE ELASTIQUE	ELASTISCHE SCHEIBE	
260	22171002/0	1	DISTANZIALE	SPACER	ENTRETOISE	DISTANZRING	
261	12735592/0	2	VITE	SCREW	VIS	SCHRAUBE	
262	22060210/0	1	PROTEZIONE DX	R PROTECTION	PROTECTION D	RECHTE SCHUTZ	
263	12154330/0	2	DADO	NUT	ECROU	MUTTER	
264	22735551/0	1	SETTORE REGOLAZIONE ALTEZZA	SECTOR, HEIGHT ADJUSTMENT	SECTEUR REGLAGE HAUTEUR	SEKTOR, HÖHEVERSTELLUNG	
265	12789000/0	2	VITE	SCREW	VIS	SCHRAUBE	
266	81005109/0	1	SUPPORTO ROLLER	ROLLER SUPPORT	SUPPORT ROLLER	ROLLRHLTER	
267	12735121/0	2	VITE	SCREW	VIS	SCHRAUBE	
268	12728680/0	1	VITE	SCREW	VIS	SCHRAUBE	
269	22399805/0	1	MANOPOLINA	KNOB	POIGNÉE	GRIFF	
270	22321505/0	1	LEVA REGOLAZIONE ALTEZZA	LEVER, HEIGHT ADJUSTMENT	LEVIER, REGLAGE HAUTEUR	HEBEL, HÖHEVERSTELLUNG	

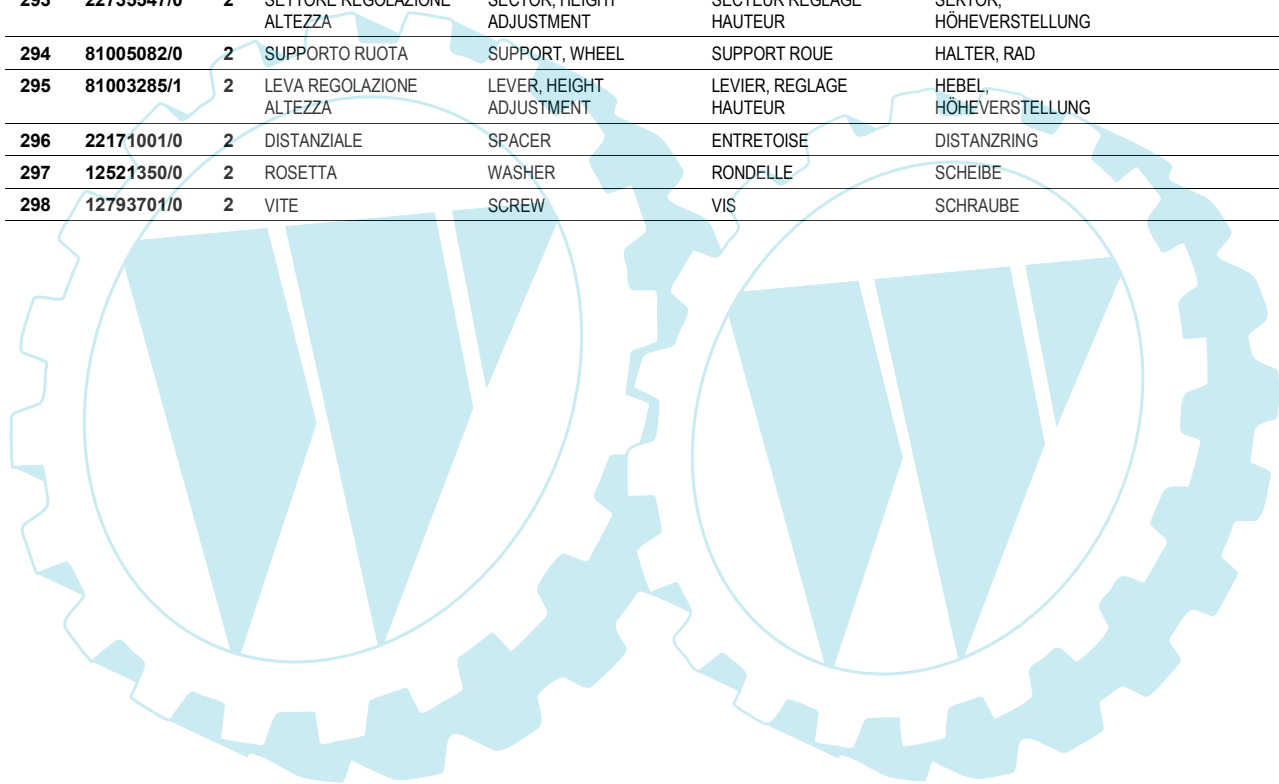
CA 484 TR/TR-E ROLLER

100

GLOBAL GARDEN PRODUCTS

02T.034

Pos.	Code	Q.ty	Descrizione	Description	Description	Beshreibung	Remarks
271	22060211/0	1	PROTEZIONE SX	L PROTECTION	PROTECTION G	LINKE SCHUTZ	
272	12735594/0	1	VITE	SCREW	VIS	SCHRAUBE	
273	22207325/0	2	FLANGIA	SUPPORT	SUPPORT	HALTER	
274	22671650/0	1	ROSETTA	WASHER	RONDELLE	SCHEIBE	
275	12620210/0	2	SPINA ELASTICA	PIN	GOUPILLE	STIFT	
276	19216036/0	2	CUSCINETTO	BEARING	COUSSINET	LAGER	
277	22855000/0	2	TRASCINATORE	TRACTOR ROLLER	ENTRAINEUR, ROLLER	SCHLEPPER	
278	81007401/0	1	ROLLER	ROLLER	ROLLER	ROLLER	
279	12735593/0	5	VITE	SCREW	VIS	SCHRAUBE	
280	22033361/0	1	ASSE ROLLER	AXLE, ROLLER	AXE ROLLER	ACHSE, ROLLER	
281	12521331/0	2	ROSETTA	WASHER	RONDELLE	SCHEIBE	
290	12293200/0	2	DADO	NUT	ECROU	MUTTER	
291	12583500/0	2	GROWER	GROWER	GROWER	FEDERRING	
292	12523070/0	2	ROSETTA	WASHER	RONDELLE	SCHEIBE	
293	22735547/0	2	SETTORE REGOLAZIONE ALTEZZA	SECTOR, HEIGHT ADJUSTMENT	SECTEUR REGLAGE HAUTEUR	SEKTOR, HÖHEVERSTELLUNG	
294	81005082/0	2	SUPPORTO RUOTA	SUPPORT, WHEEL	SUPPORT ROUE	HALTER, RAD	
295	81003285/1	2	LEVA REGOLAZIONE ALTEZZA	LEVER, HEIGHT ADJUSTMENT	LEVIER, REGLAGE HAUTEUR	HEBEL, HÖHEVERSTELLUNG	
296	22171001/0	2	DISTANZIALE	SPACER	ENTRETOISE	DISTANZRING	
297	12521350/0	2	ROSETTA	WASHER	RONDELLE	SCHEIBE	
298	12793701/0	2	VITE	SCREW	VIS	SCHRAUBE	



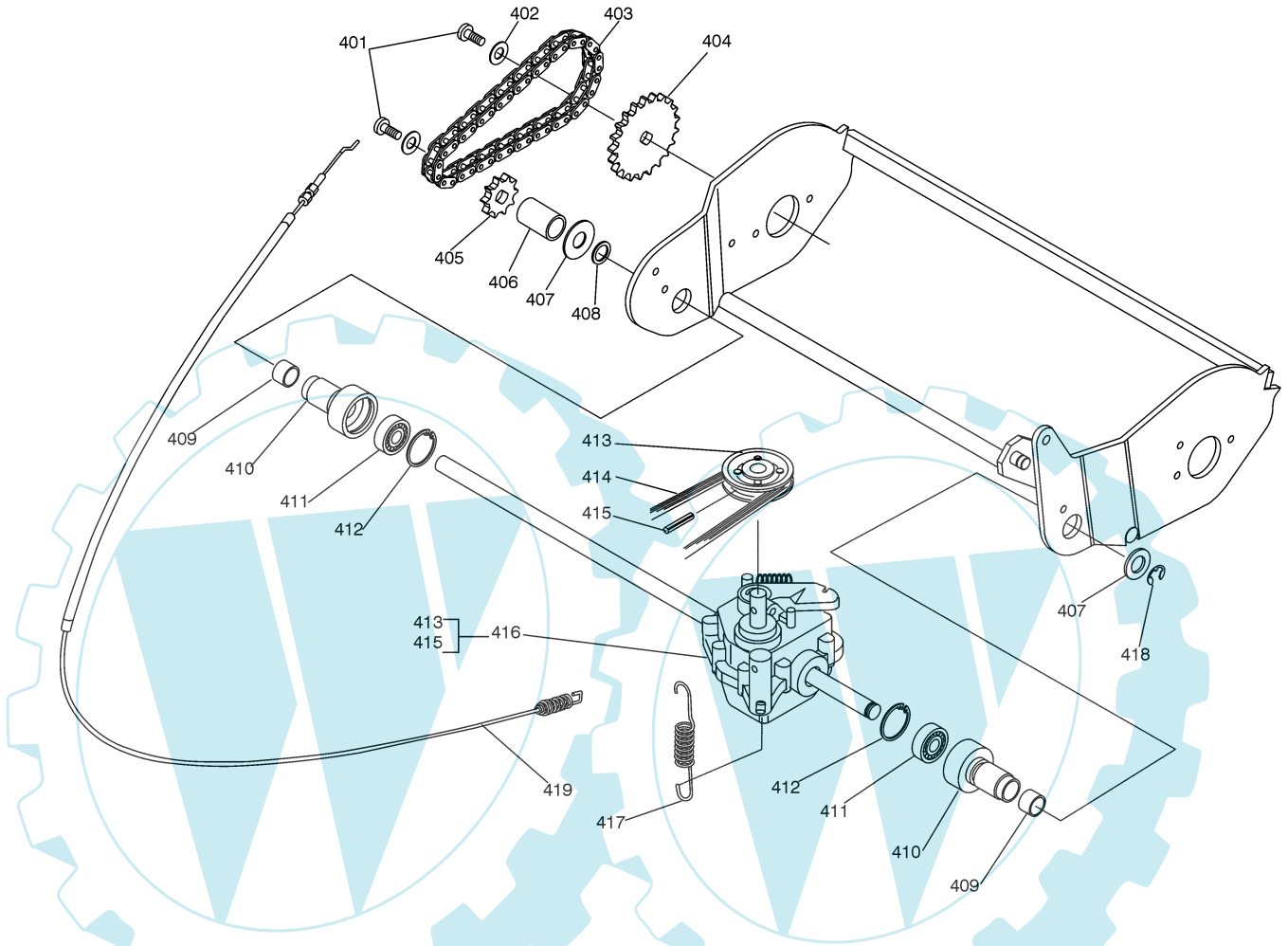
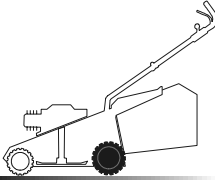
CA 484 TR/TR-E ROLLER



GLOBAL GARDEN PRODUCTS

3

03D_014



03T_014

Pos.	Code	Q.ty	Descrizione	Description	Description	Beschreibung	Remarks
401	1273593/0	2	VITE	SCREW	VIS	SCHRAUBE	
402	12523040/0	2	ROSETTA	WASHER	RONDELLE	SCHEIBE	
403	15189003/0	1	CATENA	CHAIN	CHAINE	KETTE	
404	22120106/0	1	CORONA	RING GEAR	COURONNE	KRANZ	
405	22120107/0	1	CORONA	RING GEAR	COURONNE	KRANZ	
406	22170970/0	1	DISTANZIALE	SPACER	ENTRETOISE	DISTANZRING	
407	22672151/0	2	ROSETTA	WASHER	RONDELLE	SCHEIBE	
408	21660100/0	2	RALLA	WASHER	RONDELLE	SCHEIBE	
409	22038404/0	2	BRONZINA	BRASS	COUSSINET	BUCHSE	
410	22785126/0	2	SUPPORTO	SUPPORT	SUPPORT	HALTER	
411	19216035/0	2	CUSCINETTO	BEARING	COUSSINET	LAGER	
412	12610095/0	2	ANELLO DI ARRESTO	SEEGER	SEEGER	SEEGER	
413	22601904/0	1	PULEGGIA	PULLEY	POULIE	RIEMENSCHIEBE	
414	35063800/0	1	CINGHIA Z 27	BELT Z 27	COURROIE Z 27	RIEMEN Z 27	
415	12645705/0	1	SPINA	PIN	GOUPILLE	STIFT	
416	81003077/0	1	GRUPPO TRAZIONE	GEAR BOX	GRUPPE TRACTION	ANTRIEB	(FRANCE REDUCTEURS)
417	25430220/0	1	MOLLA	SPRING	RESSORT	FEDER	
418	22450063/0	1	MOLLA	SPRING	RESSORT	FEDER	
419	81000668/0	1	CAVO COMANDO TRAZIONE	CABLE, REAR DRIVE	CABLE, COMMANDE TRACTION	KABEL, ANTRIEB	(FRANCE REDUCTEURS)

CA 484 TR/TR-E ROLLER

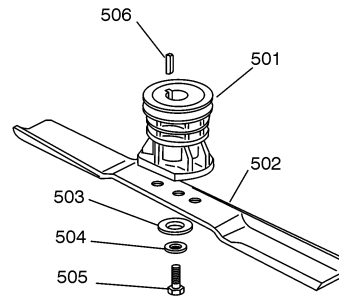
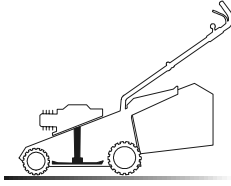


100

GLOBAL GARDEN PRODUCTS

5

05D_003

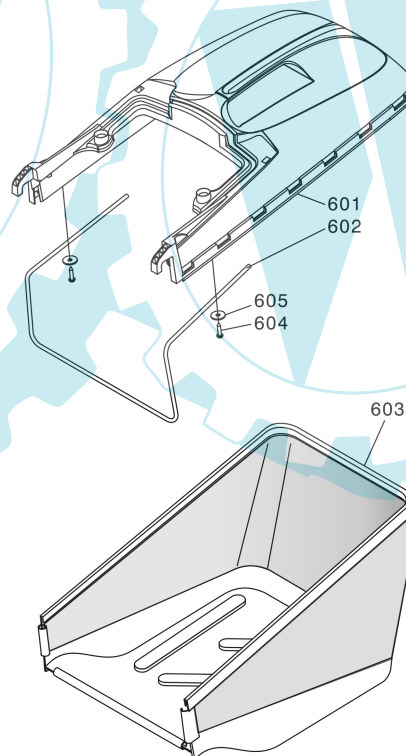
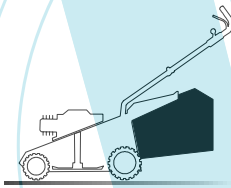


05T_028

Pos.	Code	Q.ty	Descrizione	Description	Description	Beschreibung	Remarks
501	22465607/0	1	MOZZO CON PULEGGIA	HUB WITH PULLEY	MOYEU AVEC POULIE	NABE MIT SCHEIBE	
502	81004346/3	1	COLTELLO STANDARD	BLADE STANDARD	LAME STANDARD	MESSER STANDARD	
503	22160400/0	1	DISCO ELASTICO	ELASTIC WASHER	RONDELLE ELASTIQUE	ELASTISCHE SCHEIBE	
504	12523080/0	1	ROSETTA	WASHER	RONDELLE	SCHEIBE	
505	12735698/0	1	VITE	SCREW	VIS	SCHRAUBE	
506	12139100/0	1	LINGUETTA	FEATHER	CLAVETTE	KEIL	

6

06D_012



06T_012

Pos.	Code	Q.ty	Descrizione	Description	Description	Beschreibung	Remarks
601	22486104/1	1	SACCO, PARTE SUP	GRASS-BOX, UPPER PART	SAC, PARTIE SUPERIEURE	KORB, OBERTEIL	
602	22608527/0	1	RINFORZO INF	STIFFENING LOWER	RÉNFORCEMENT INF	VERSTÄRKUNG UNTERE	
603	81002227/0	1	SACCO, TELA	BOX, FABRIC	SAC, TOILE	SACK, TUCK	
604	12728680/0	2	VITE	SCREW	VIS	SCHRAUBE	
605	12523050/0	2	ROSETTA	WASHER	RONDELLE	SCHEIBE	